

# Portfolio

- ✓ Product & Industrial Design
- ✓ Academics
- ✓ Sheet metal design
- ✓ Machine design
- ✓ SolidWorks Training & best practices

[www.A-Zengineering.com](http://www.A-Zengineering.com)

A

Z

# Business Philosophy

DESIGN CONSULTANCY & ENGINEERING SERVICES

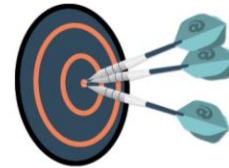
FROM A TO Z



PASSION



COHERENCE



CONSISTENCY



CONFIDENTIALITY

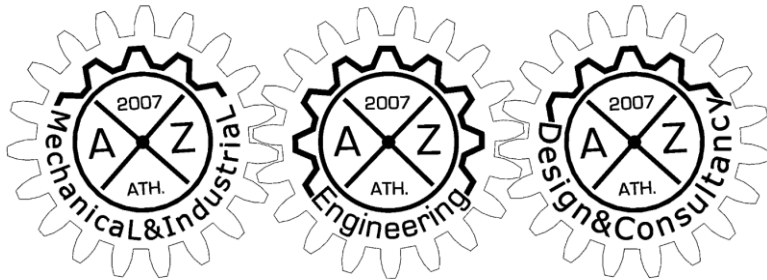
Z

A

History

Show-off **or** else key-facts **or** else experience

- ✓ SolidWorks Expert (using it since 2003 ->15+ years)
- ✓ Worked at Alfasolid - SolidWorks reseller as a consultant
- ✓ SolidWorks official training to 1000+ students
- ✓ Worked as a designer in 400+ projects
- ✓ Worked in multiple manufacturing facilities
- ✓ Expert in Design for anufacturing
- ✓ Hands-on manufacturing & assembly experience
- ✓ Multiple product design on-line courses
- ✓ Completed design of 300+ products

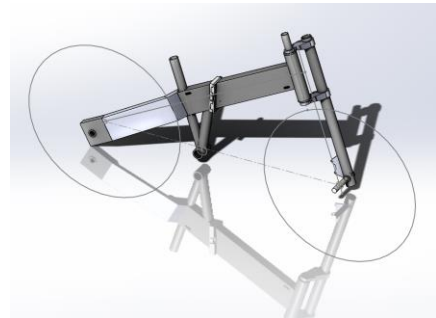
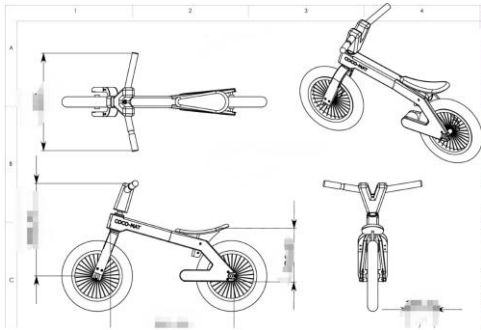
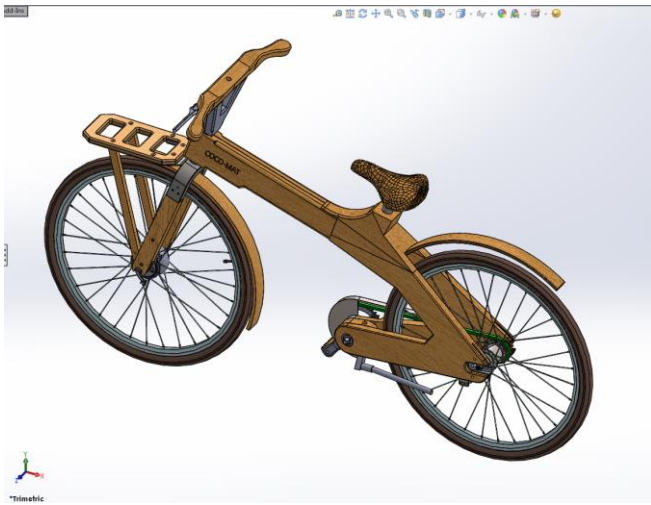




A

Z

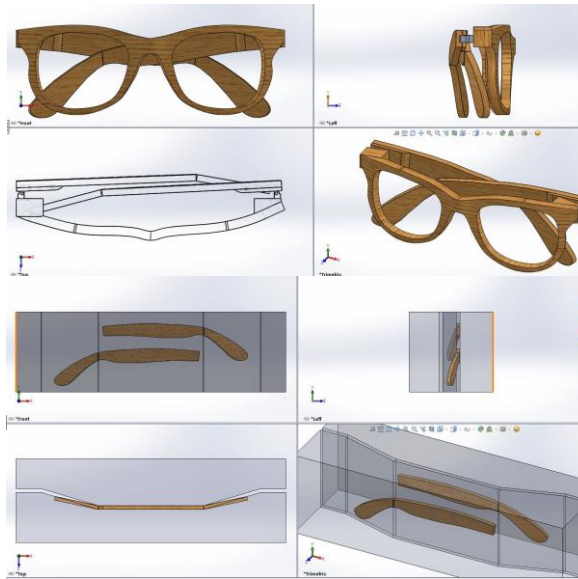
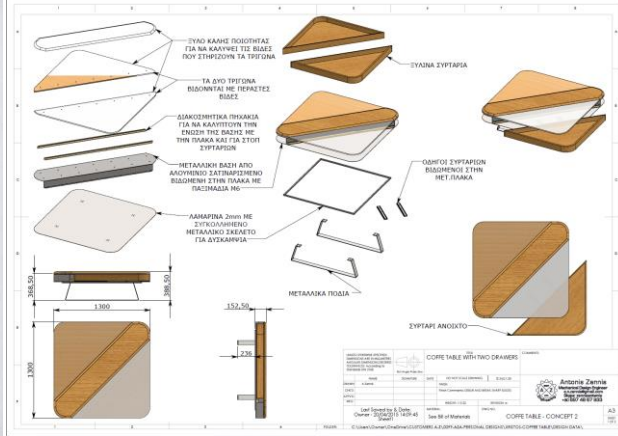
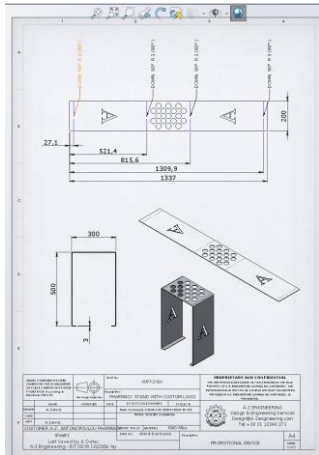
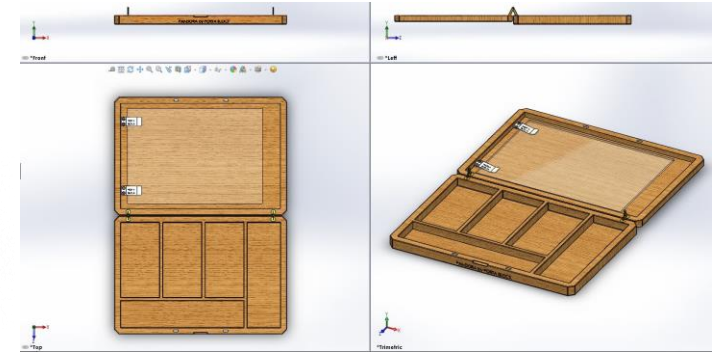
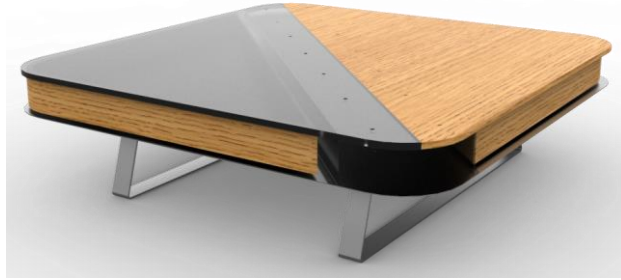
# Bike Mechanical Design – 3D modeling



Z

A

# Product Design - Wood



A

Z

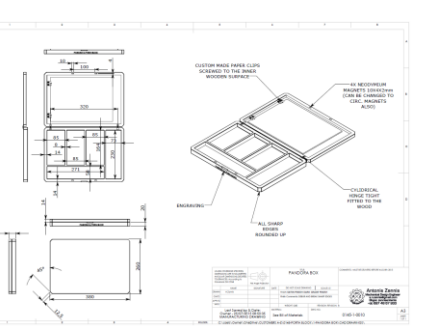
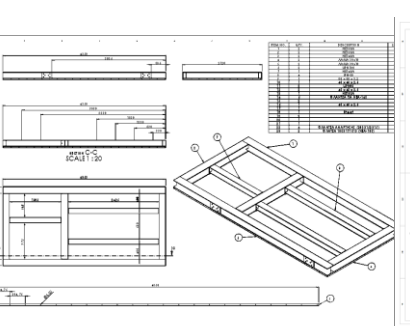
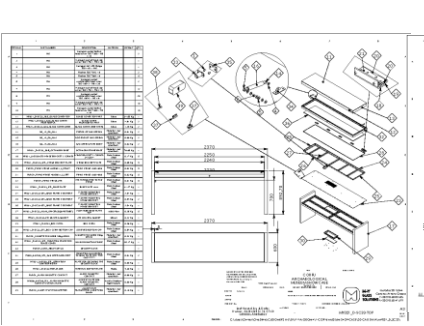
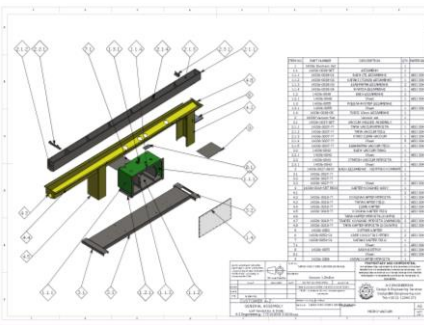
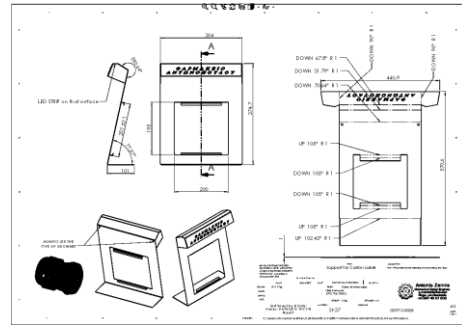
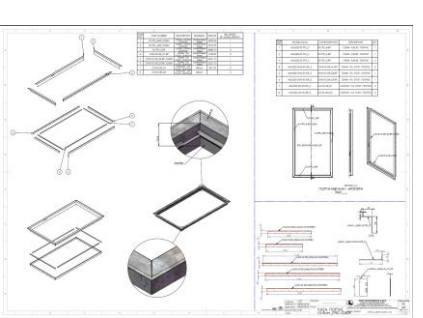
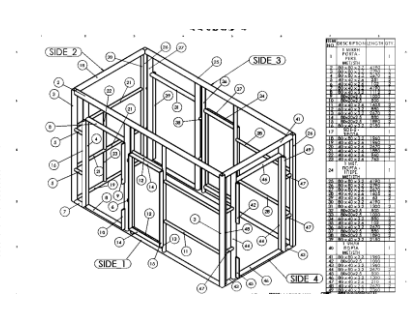
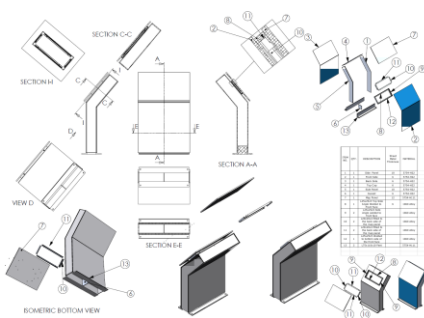
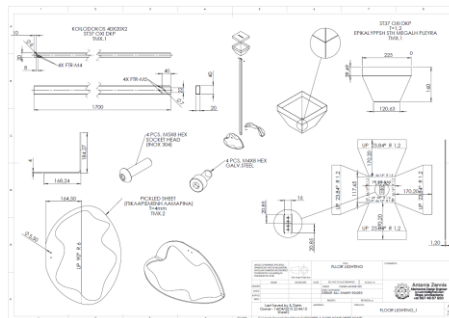
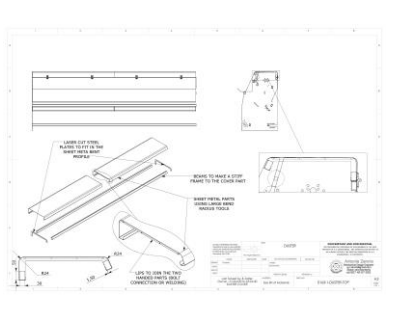
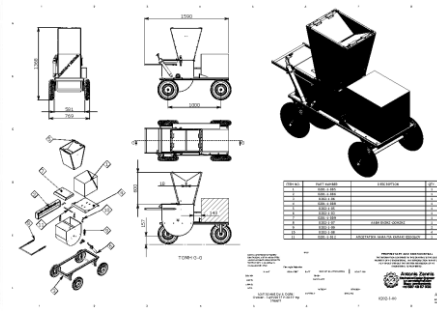
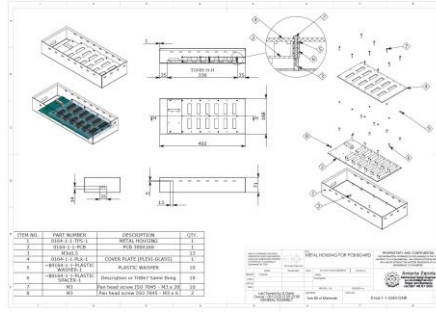
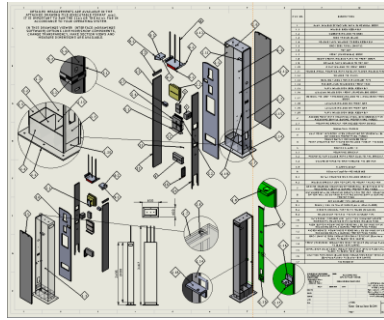
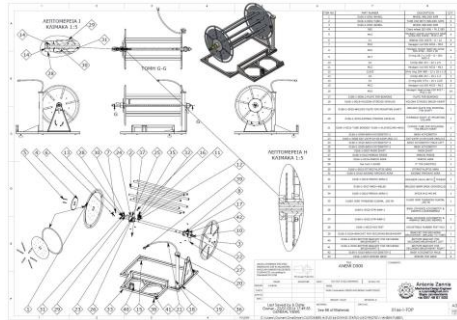
Z

A

A

Z

# Technical Drawings



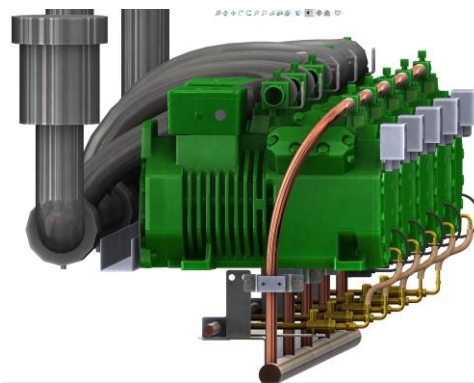
Z

A

A

Z

Mechanical & Industrial Design – Machinery & Electronics



Z

A



